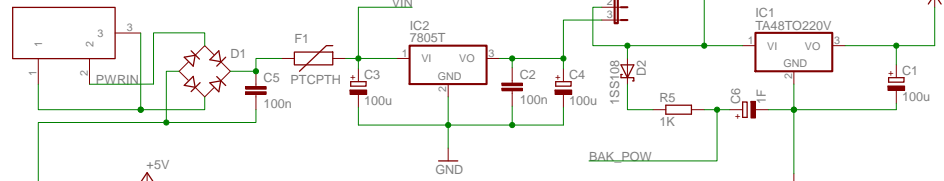
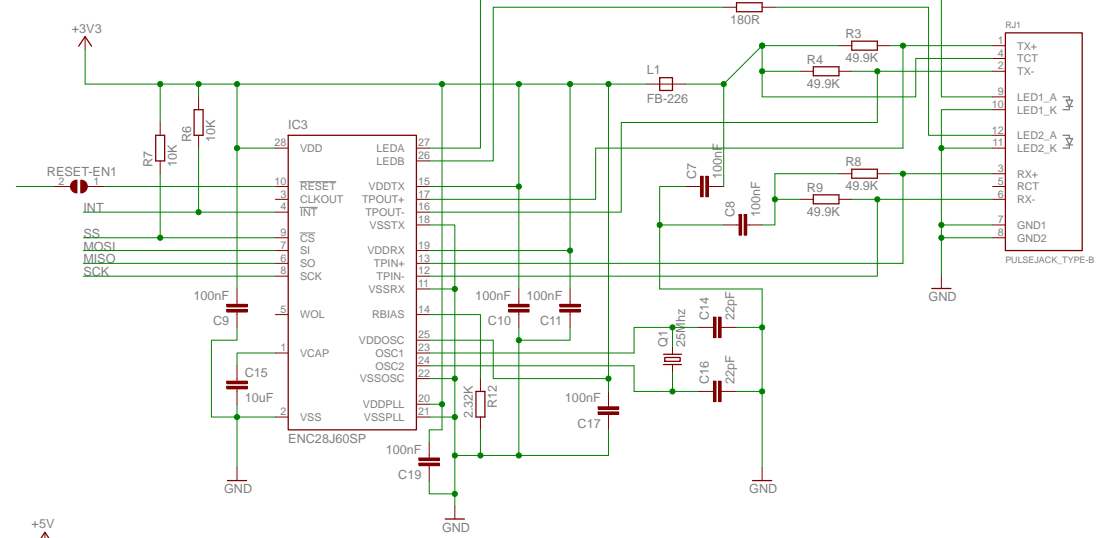


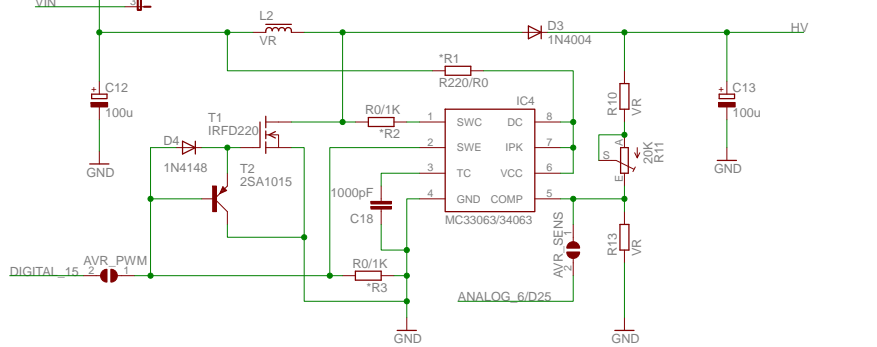
PowerUnit(5V/3.3V)



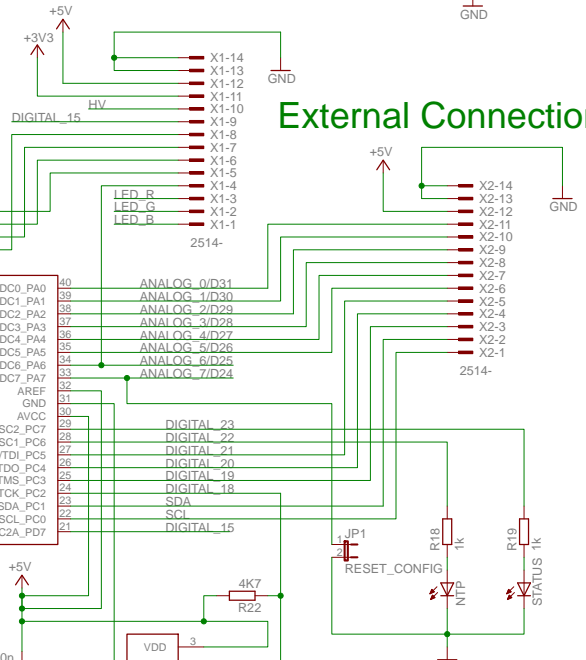
Ethernet(ENC28J60)



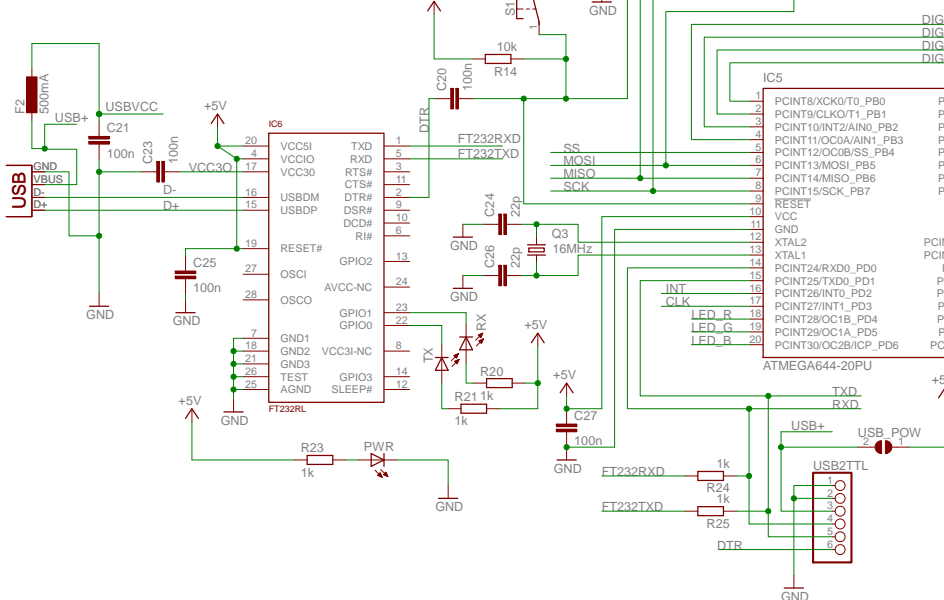
High Voltage Conversion



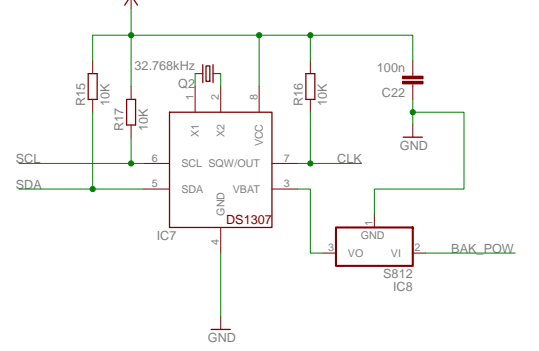
External Connection



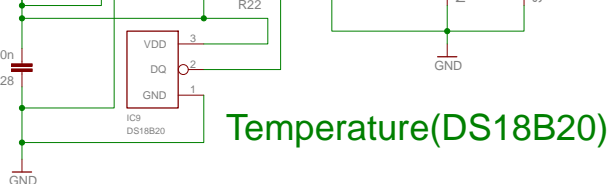
Arduino + USB-Serial



RTC(DS1307)



Temperature(DS18B20)



7SegClock(Arduino+RTC+Ethernet)	
Designed by: eldhrimnir.com	
TITLE: 1inch_7seg_Clock_2	
Document Number:	REV: U1.5
Date: not saved!	Sheet: 1/2