

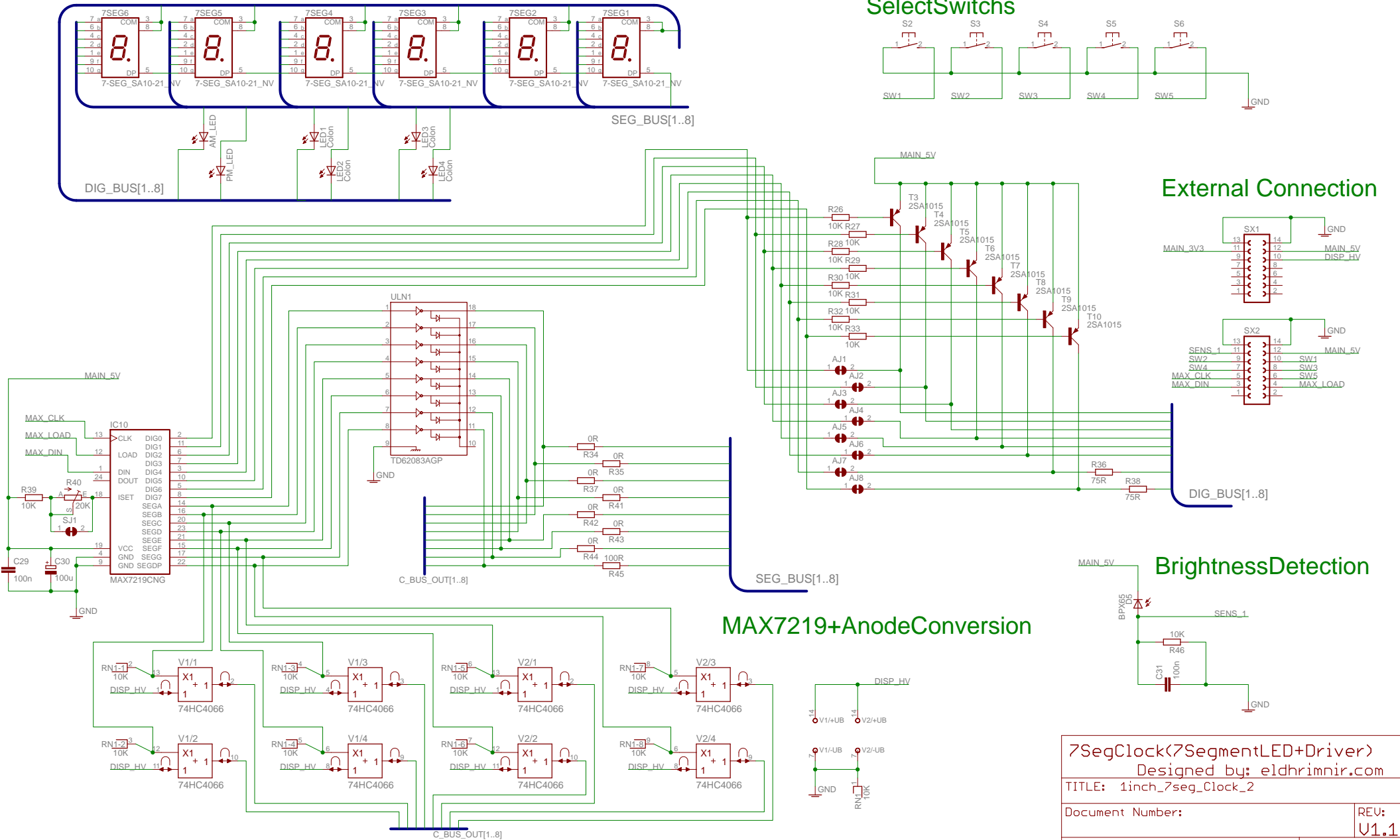
7Segment_LED

SelectSwitches

External Connection

BrightnessDetection

MAX7219+AnodeConversion



7SegClock(7SegmentLED+Driver)	
Designed by: eldhrimnr.com	
TITLE: 1inch_7seg_Clock_2	
Document Number:	REV: U1.1
Date: not saved!	Sheet: 2/2